

SHANDONG HAITUI HEAVY INDUSTRY MACHINERY CO., LTD

Contact:Terry

Email:terry@haituichina.com

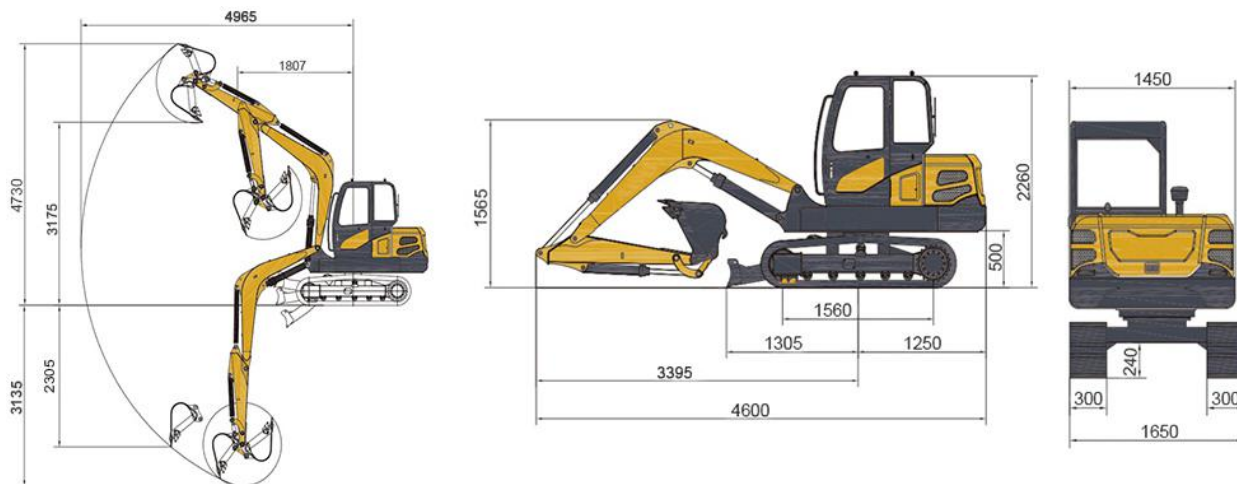
Phone/Whatsapp:+86-15263772910

HT35 3.5ton Excavator



SHANDONG HAITUI HEAVY INDUSTRY MACHINERY CO., LTD

Contact:Terry Email:terry@haituichina.com Phone/Whatsapp:+86-15263772910



Main Specifications of HT35 Excavator

Bucket Capacity	0.18 M ³
Swing Speed	10 r/min
Travel Speed	3.1/5.6 km/h
Overall Weight	3500 Kg
Grade Ability	26°
Max Bucket Digging Force	24 kN
Arm Digging Force	13.6 kN
Engine Model	Changchai ZN490 / Yanmar 3TNV88
Rated Power	34/2400 KW/rpm / 19.6/2200 KW/rpm
Hydraulic System Pressure	16 Mpa
Hydraulic System Flow	28 L/min
Main Dimensions	
Overall Length*Width*Height(L*W*H)	4600*1650*2260mm
Track Width	300mm
Min Ground Clearance	240mm
Track Gauge	1670mm
Tail Swing Radius	1250mm
Operating Range	
Max Digging Height	4730mm
Max Dumping Height	3175mm
Max Digging Depth	3135mm
Max Vertical Digging Depth	2305mm
Max Digging Radius	4965mm